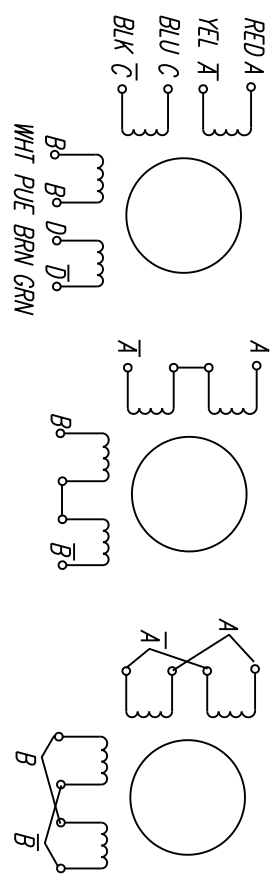
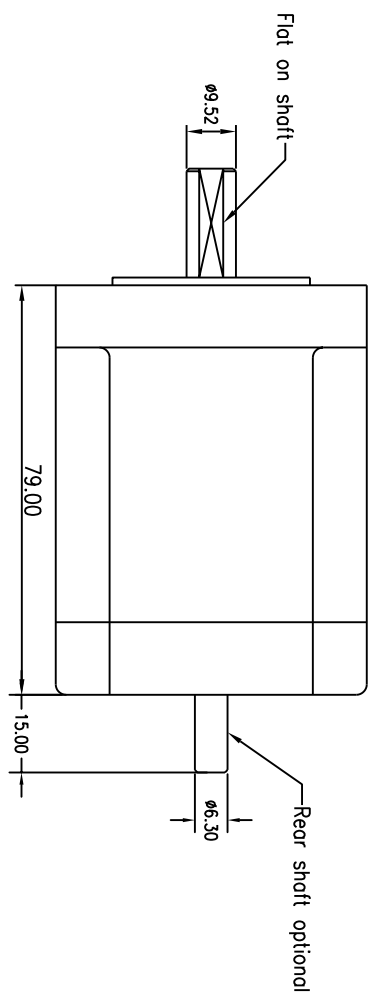
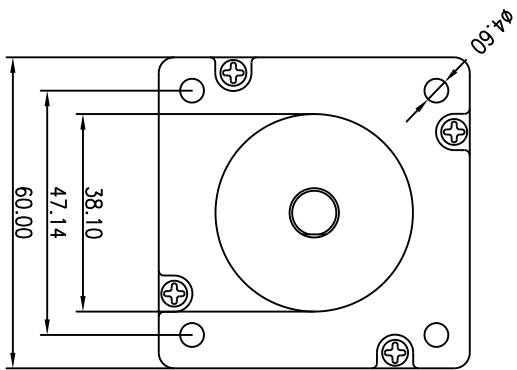


COMMON RATINGS

Step Angle	1.8 Degrees
Positional Accuracy	+/- 3%
Number of Phases	Two or Four
Temperature Rise	80C Maximum
Dielectric Strength	500V DC
Insulation Resistance	100M Ohm (500V DC)
Radial Play	0.025mm Max (450g Load)
Insulation Class	Class: B



COLOUR OF LEADS

SERIES

PARALLEL

Part Number	23HSX-1012(X)	Holding Torque Nm(+/- 10%)	2.5	Rated Current per phase A	2.8(Bipolar)	Ph. resistance Ohms (+/- 10%)	1.34	Inductance mH(+/- 20%)	3.1	Mass kg	1.0
-------------	---------------	----------------------------	-----	---------------------------	--------------	-------------------------------	------	------------------------	-----	---------	-----

16 MAY2007

www.CNCDirect.co.za

23HSX-102-(D)

STEPPER MOTOR